

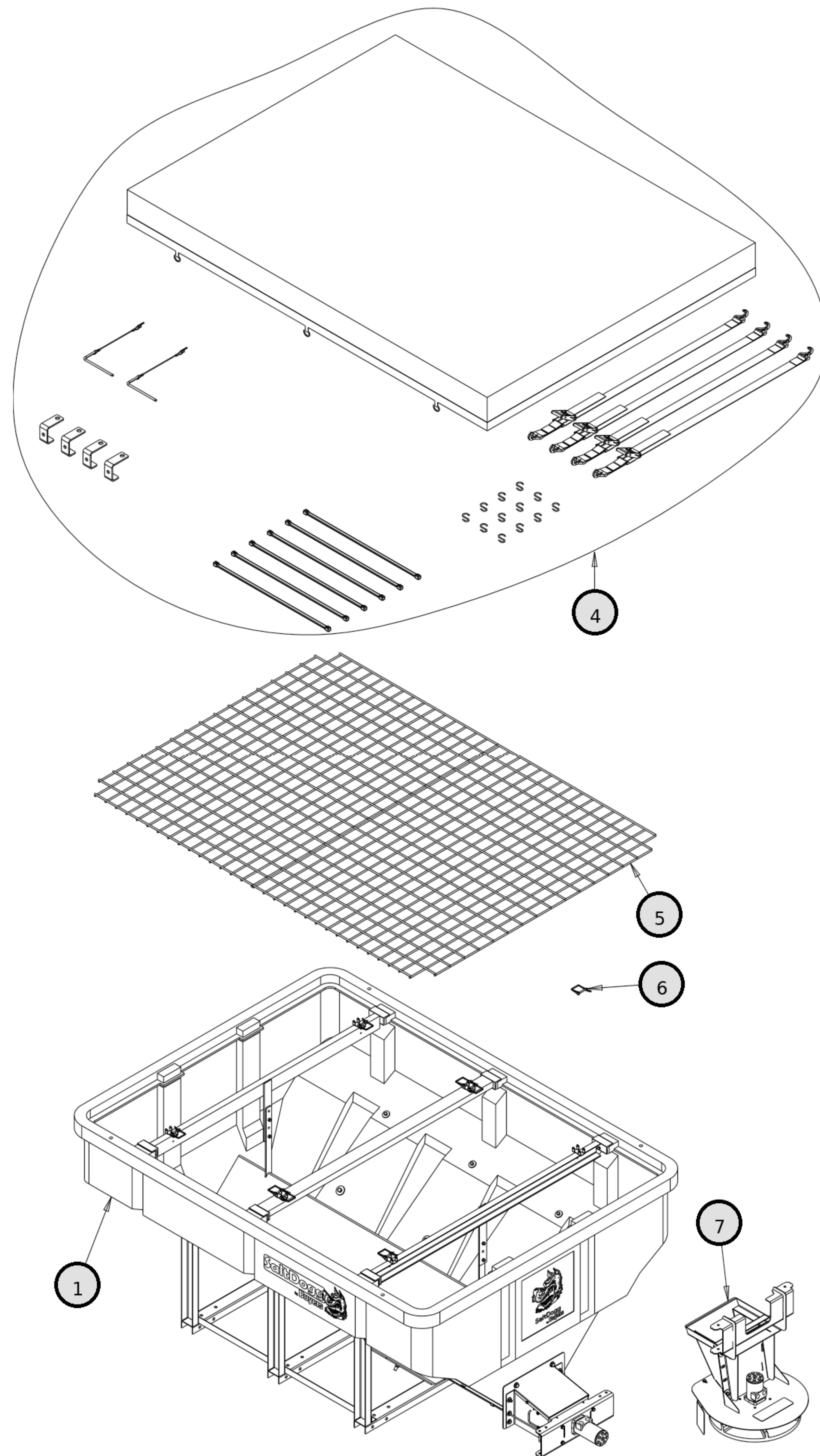


PRO POLY SPREADERS - HYDRAULIC - 3CY-8CY

FIGURE LIST

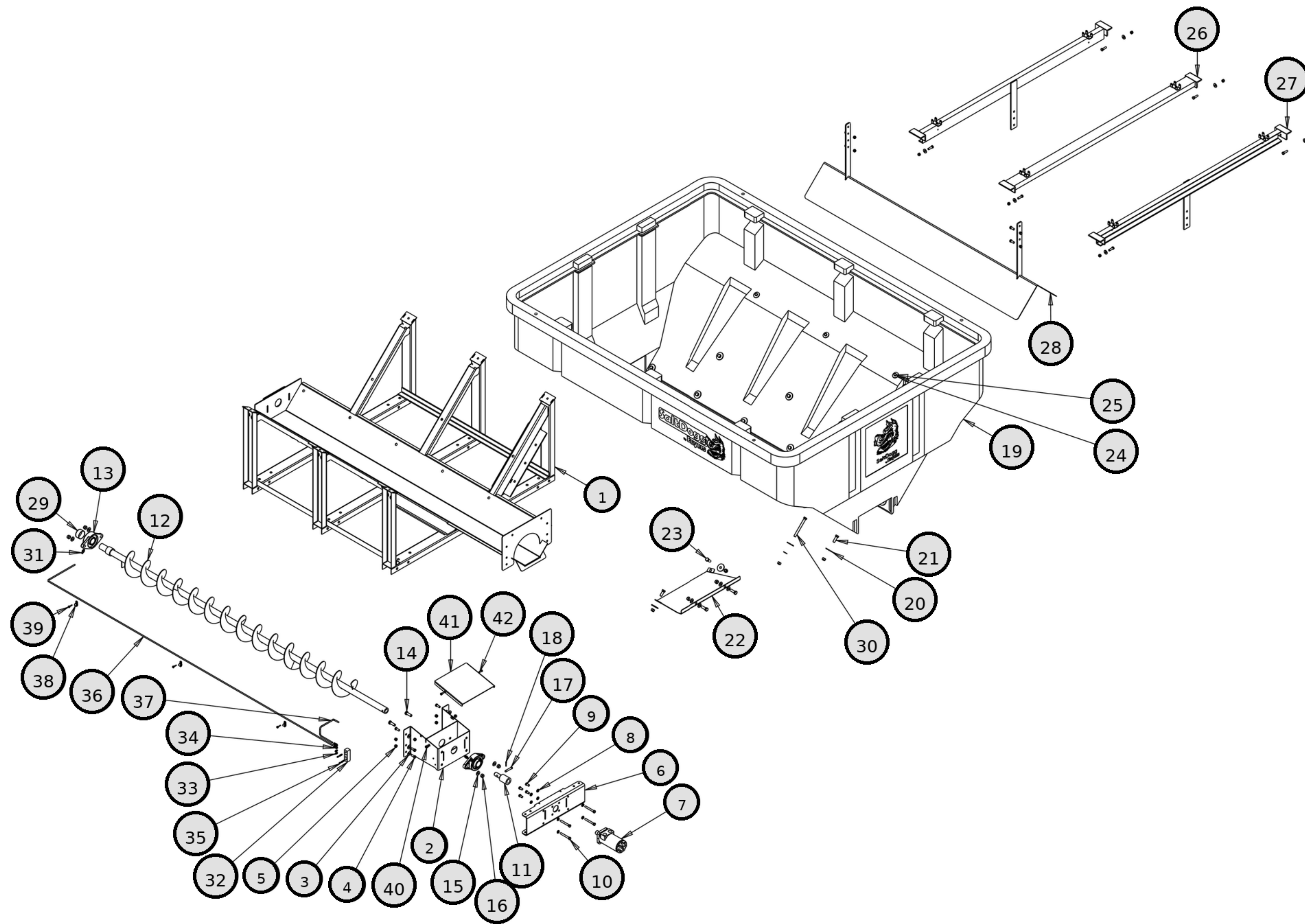
Page	Description
1	PRO4000H MAIN ASSEMBLY
2	PRO4000H HOPPER ASSEMBLY
3	PRO6000H PRO4000H CHUTE ASSEMBLY
4	PRO8000H HOPPER ASSEMBLY
5	PRO8000HCH HOPPER ASSEMBLY
6	PRO8000HCH PRO8000H PRO6000HCH PRO4000HCH CHUTE ASSEMBLY

REF	PN	DESCRIPTION
1	3056845	HOPPER ASSEMBLY PRO4000H
3	3010850	SCREW,HEX HD LAG,1/2 X4.0, ZN
4	3057271	HARDWARE KIT PRO4000H, HCH
5	3012458	SCREEN, MESH, 46.7X68.3, .31IN WIRE
6	66050	SNAPPER PIN, 1/4 X 2, YLW ZINC
7	3052106	CHUTE SWING, ADJUSTABLE, HYD



MAIN ASSEMBLY

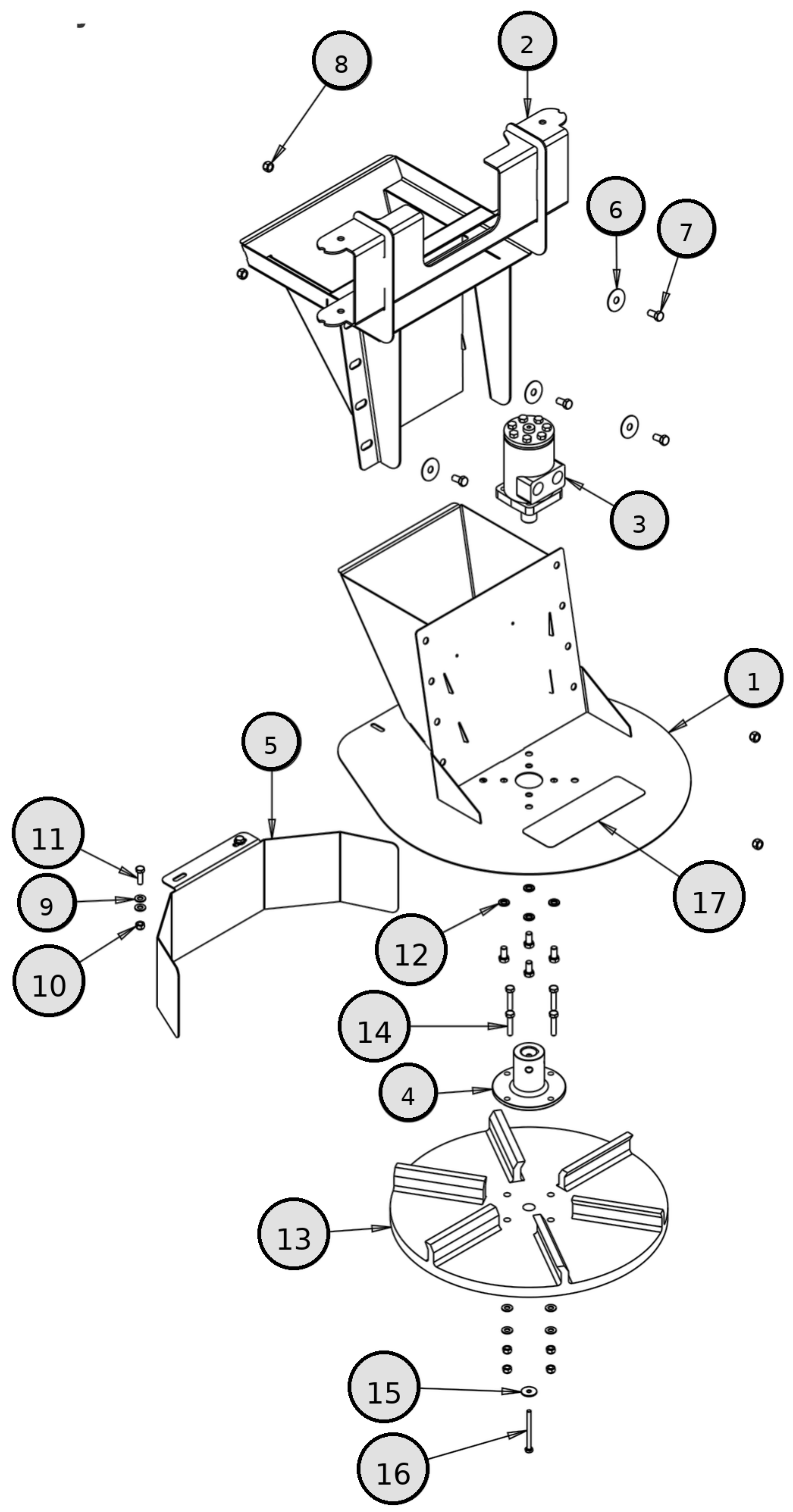
PRO4000H



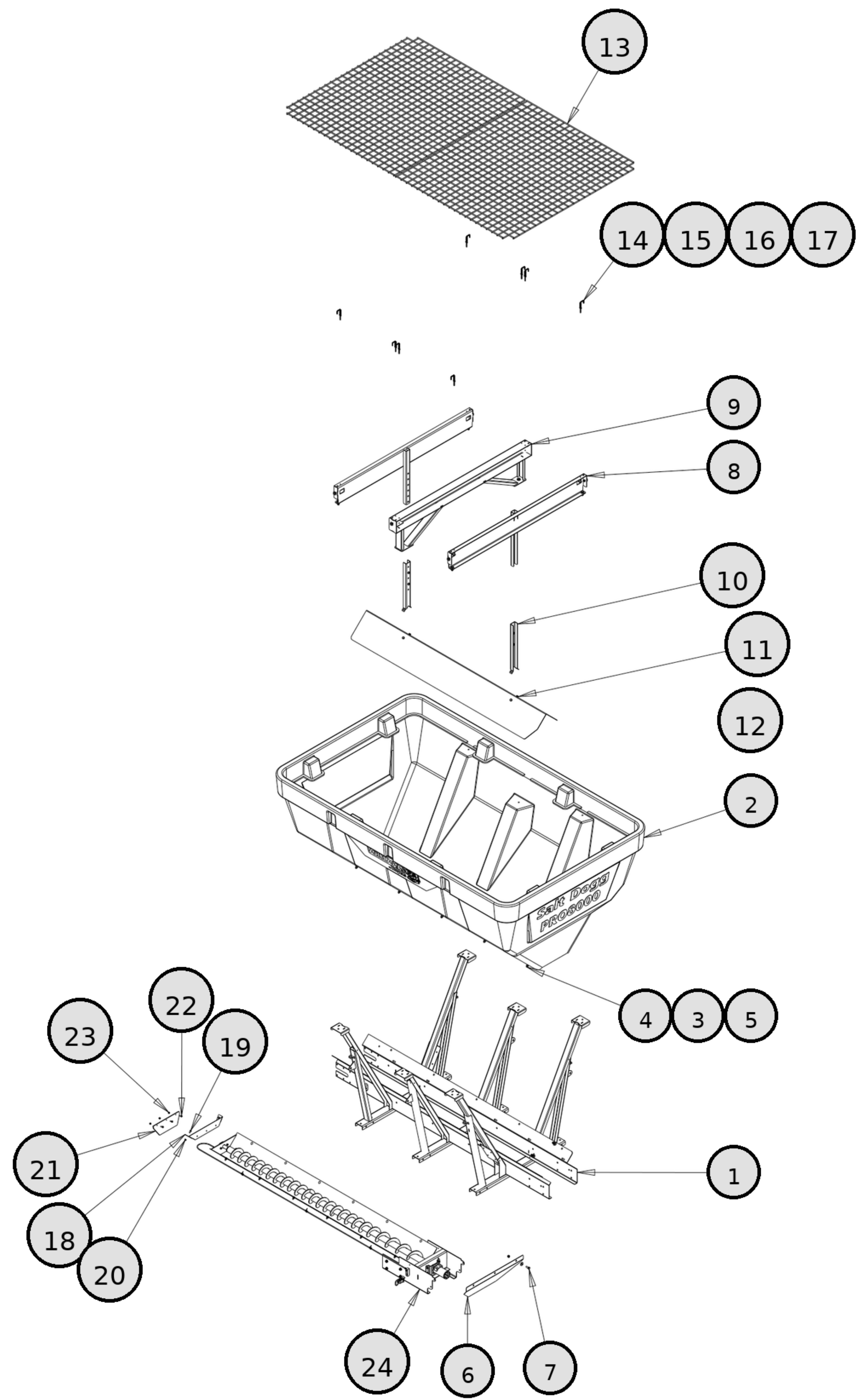
REF	PN	DESCRIPTION
1	3052795	TROUGH WELDMENT, PRO4000
2	3057269	MOUNT WELDMENT, HYD. MOTOR
3	FWF038100007SS	WASHER, FLAT 3/8 USS SST
4	FCS038016100SS	SCREW, HHC 3/8-16 X 1 304 SST
5	FNE038016044SS	NUT, NYLOCK 3/8-16 X 7/16 SST
6	3056852	CHUTE MOUNT WELDMENT
7	CM074P	MOTOR, HYD 4 BOLT
8	FWL038069009SS	WASHER, LOCK RHS-3/8 SST
9	FCS038016075SS	SCREW, HHC-3/8-16 X 3/4 SST
10	3007068	CAP SCREW, HX HD-3/8-16X3 SST
11	3055556	ADAPTOR
12	3012001	AUGER SHPE4000
13	2F24SCR	BEARING FLANGE 2 HOLES .75 ID SET SCREW
14	FCS050013150SS	SCREW, HHC-1/2-13 X 1.50 SST
15	3003873	WASHER, FLAT 1/2" SAE TYPE A SST
16	FNE050013053SS	NUT, NYLOCK 1/2-13 SS
17	1410803	PIN, CLEVIS, 3/8 X 2, 1038 ST, YZN
18	FPC013000100	COTTER PIN, 1/8 X 1, ZINC
19	3011999	HOPPER POLY 4 CU YA
20	3013516	WASHER, FLAT 1/2 ID 2.0 OD .135 THK SST
21	3006723	SCREW, HEX HD 1/2-13X1.5 GR5 SS
22	3012607	COVER DISCHARGE
23	FCS050013125SS	SCREW, HHC-1/2-13 X 1-1/4 SST
24	3014189	WASHER, FLAT 3/8 X 1.5 X.120 SST
25	FCS038016125SS	SCREW, HHC-3/8-16 X 1.25 SST
26	3013279	SCREEN SUPPORT, SHPE4000
27	3039490	SCREEN SUPPORT, SHPE4000
28	3039492	INVERTED VEE, WELDMENT
29	3013541	CAP VYNIL 2.0 ID 1.0 LG
30	3019616	SCREW, HEX HEAD CAP 1/2-13 X 5.00 SST
31	3035344	GREASE FITTING 1/4TUBE 1/4-28 MALE STRAIGHT
32	3035346	RIGHT ANGLE JUNCTION BLOCK
33	800	GREASE FITTING, 1/8IN NPT, STRAIGHT
34	3035347	GREASE FITTING 1/4TUBE 1/8 NPT STRAIGHT
35	3035357	SCREW SOCKET HD, RND 8-32X 1.50 SST
36	3036016	GREASE TUBE FRONT BEARING AUGER
37	3035359	GREASE TUBE REAR BEARING AUGER
38	4375	CLAMP, HOSE .4375, 9/32 HOLE
39	3007522	SCREW, SHEET MTL #12X1.0 HEX WASHER HD SST
40	3035742	BUSHING SNAP THICK PANEL
41	3056856	COVER
42	FCS025020075SS	SCREW, CAP 1/4-20 X 3/4 SST

HOPPER ASSEMBLY

PRO4000H



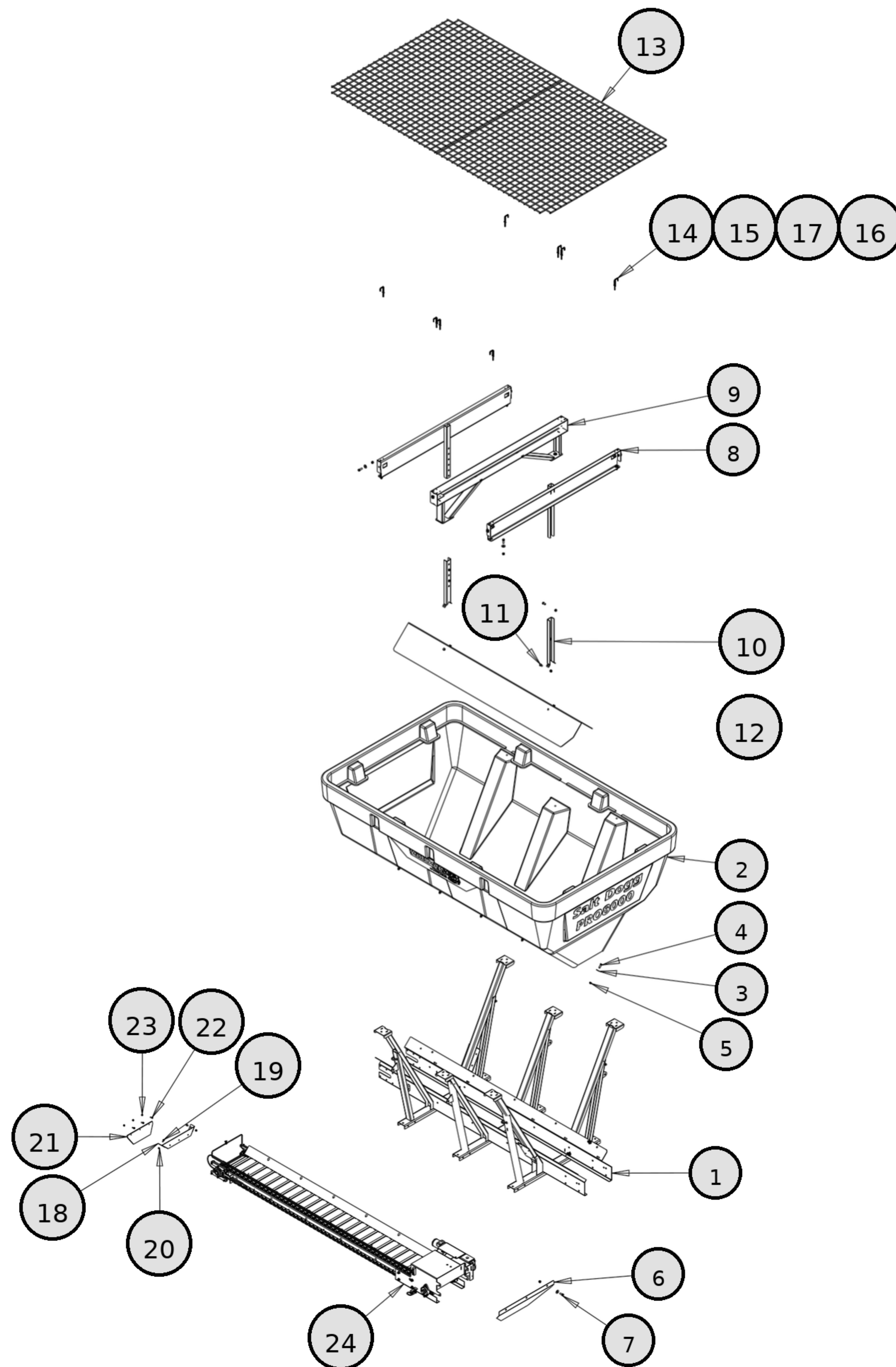
REF	PN	DESCRIPTION
1	3052038	CHUTE LOWER WELDM
2	3056844	GHUTE UPPER, PRO
3	CM004P	MOTOR, HYD 4 BOLT
4	3008632	HUB, LONG NECK SPINNER
5	3052046	SHIELD
6	3007115	WASHER, FLAT 3/8 X 1.5 X.048 SST
7	FCS038016075SS	SCREW, HHC-3/8-16 X 3/4 SST
8	FNE038016044SS	NUT, NYLOCK 3/8-16 X 7/16 SST
9	FWF031075006SS	WASHER, FLAT, 5/16 X .688 X .065, SST
10	FNE031018034SS	NUT, NYLOCK, 5/16-18, GR A, SST
11	3018701	SCREW, HHC 5/16-18 X 1.0 SST FULL THD
12	FWL038069009SS	WASHER, LOCK RHS-3/8 SST
13	3030179	SPINNER 18" POLY CW
14	FCS031018150SS	SCREW, HHC 5/16-18 X 1.5 SST
15	3030039	WASHER FLAT 1/4 ID 1 OD SST
16	3013623	SCREW HH CAP 1/4-20 X 3.0 SST
17	3007844	DECAL, DANGER STAY CLEAR



REF	PN	DESCRIPTION
1	3057474	TROUGH WELDMENT 10FT
2	3057471	HOPPER POLY 8 CU YD
3	3000269	WASHER, FLAT 1/2 USS, SST
4	FCS050013150SS	SCREW, HHC-1/2-13 X 1.50 SST
5	FNE050013053SS	NUT, NYLOCK, 1/2-13, SST WAX
6	3062883	FLOW RESTRICTOR
7	FCS050013125SS	SCREW, HHC-1/2-13 X 1-1/4 SST
8	3057483	CROSS MEMBER, VEE SUPPORT
9	3057482	CROSS MEMBER WELDMENT
10	3017731	HANGER, INVERTED VEE
11	FCS050013100SS	SCREW, HHC-1/2-13 X 1 SST
12	3063672	DEFLECTOR, INVERTED VEE
13	3057751	WIRE MESH PRO8000
14	3054283	LOCK PIN, SCREEN
15	FPC009000075SS	PIN, COTTER 3/32 X 3/4 STAINLESS
16	FWF025063007SS	WASHER, FLAT 1/4 SAE SS
17	3054284	SPRING, LOCK PIN
18	3057621	BRACKET, VIPER BELT
19	FCS038016075SS	SCREW, HHC-3/8-16 X 3/4 SST
20	FNE038016044SS	NUT, NYLOCK, 3/8-16, SST WAX
21	3050273	WIPER BELT, FRONT, MID SIZE
22	3018701	SCREW, HHC 5/16-18 X 1.0 SST FULL THD
23	FNE031018034SS	NUT, NYLOCK, 5/16-18, SST WAX
24	3060886	DRIVE ASSEMBLY, PRO8000 AUGER HYDRAULIC

HOPPER ASSEMBLY

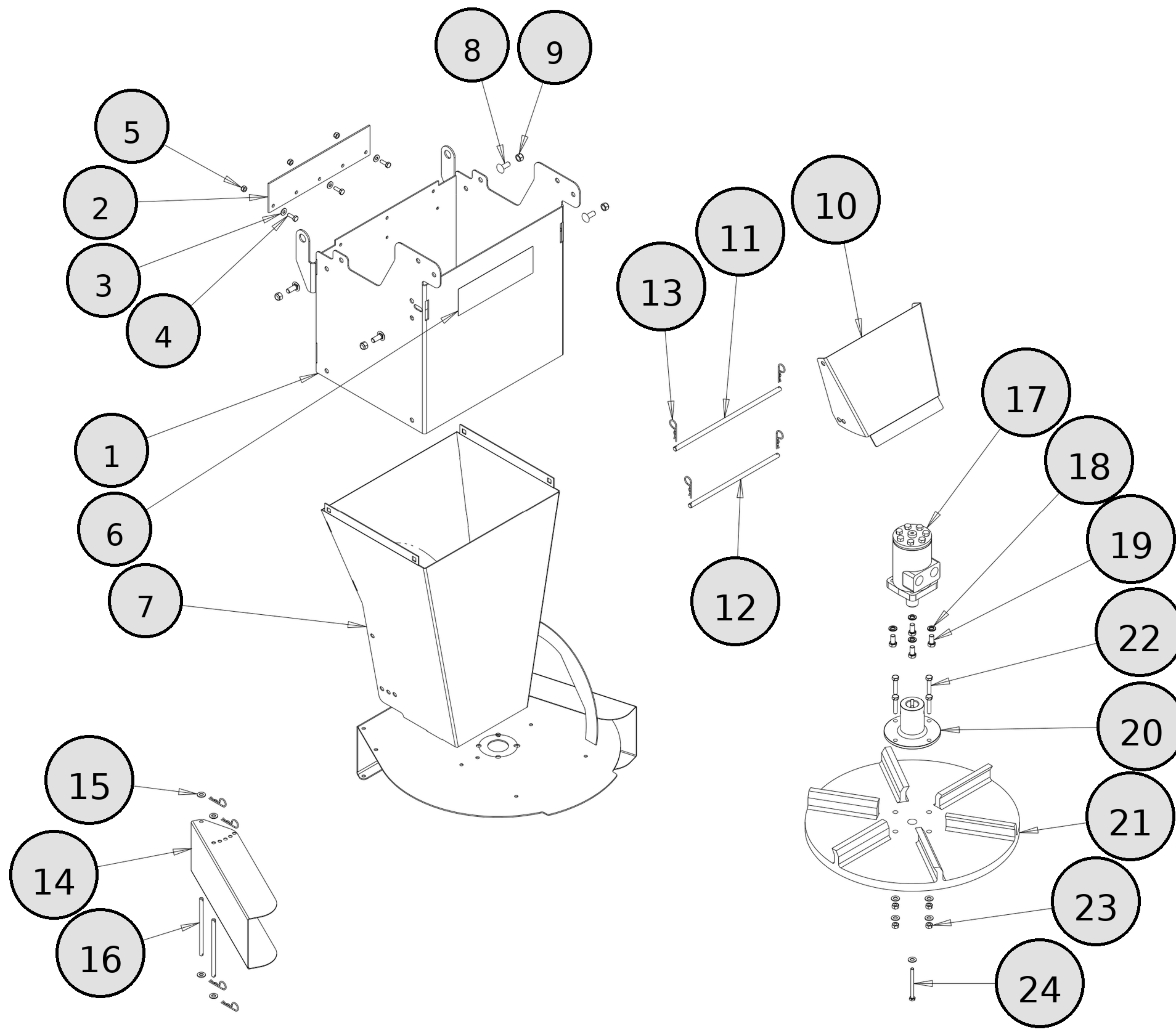
PRO8000H



REF	PN	DESCRIPTION
1	3057474	TROUGH WELDMENT 10FT
2	3057471	HOPPER POLY 8 CU YD
3	3000269	WASHER, FLAT 1/2 USS, SST
4	FCS050013150SS	SCREW, HHC-1/2-13 X 1.50 SST
5	FNE050013053SS	NUT, NYLOCK, 1/2-13, SST WAX
6	3062883	FLOW RESTRICTOR
7	FCS050013125SS	SCREW, HHC-1/2-13 X 1-1/4 SST
8	3057483	CROSS MEMBER, VEE SUPPORT
9	3057482	CROSS MEMBER WELDMENT
10	3017731	HANGER, INVERTED VEE
11	FCS050013100SS	SCREW, HHC-1/2-13 X 1 SST
12	3063672	DEFLECTOR, INVERTED VEE
13	3057751	WIRE MESH PRO8000
14	3054283	LOCK PIN, SCREEN
15	FPC009000075SS	PIN, COTTER 3/32 X 3/4 STAINLESS
16	FWF025063007SS	WASHER, FLAT 1/4 SAE SS
17	3054284	SPRING, LOCK PIN
18	3057621	BRACKET, WIPER BELT
19	FCS038016075SS	SCREW, HHC-3/8-16 X 3/4 SST
20	FNE038016044SS	NUT, NYLOCK, 3/8-16, SST WAX
21	3050273	WIPER BELT, FRONT, MID SIZE
22	3018701	SCREW, HHC 5/16-18 X 1.0 SST FULL THD
23	FNE031018034SS	NUT, NYLOCK, 5/16-18, SST WAX
24	3060502	DRIVE ASSEMBLY, PRO8000 CHAIN HYDRAULIC

HOPPER ASSEMBLY

PRO8000HCH



REF	PN	DESCRIPTION
1	3030392	UPPER CHUTE WELDMENT
2	1410241	WIPER BELT, HOPPER
3	FWF025063007SS	WASHER, FLAT 1/4 SAE SS
4	FCS025020075SS	SCREW, CAP 1/4-20 X 3/4 SST
5	FNE025020031SS	NUT, NYLON INSERT 1/4-20 SST
6	9240131	DECAL #1, DANGER STAY CLEAR
7	3030420	CHUTE LOWER WELDMENT
8	3014960	BOLT, 3/8-16 X 1 CARRIAGE SHORT NECK SST
9	FNE038016044SS	NUT, NYLOCK 3/8-16 X 7/16 SST
10	3030579	BAFFLE, CHUTE
11	3030580	PIN, BAFFLE ATTACHMENT
12	3030581	PIN, BAFFLE ADJUSTMENT
13	3001257	PIN, HAIR COTTER STAINLESS STL
14	3031025	BAFFLE CHUTE ADJUST
15	FWF031075006SS	WASHER, 5/16 SAE SST
16	3031051	PIN BAFFLE CHUTE
17	CM004P	MOTOR, HYD 4 BOLT
18	FWL038069009SS	WASHER, LOCK RHS-3/8 SST
19	FCS038016075SS	SCREW, HHC-3/8-16 X 3/4 SST
20	3008632	HUB, LONG NECK SPINNER
21	3030179	SPINNER 18" POLY CW
22	FCS031018150SS	SCREW, HHC 5/16-18 X 1.5 SST
23	FNE031018034SS	NUT, NYLOCK 5/16-18 SS
24	3013623	SCREW HH CAP 1/4-20 X 3.0 SST

CHUTE ASSEMBLY

PRO8000HCH / PRO8000H / PRO6000HCH / PRO4000HCH